

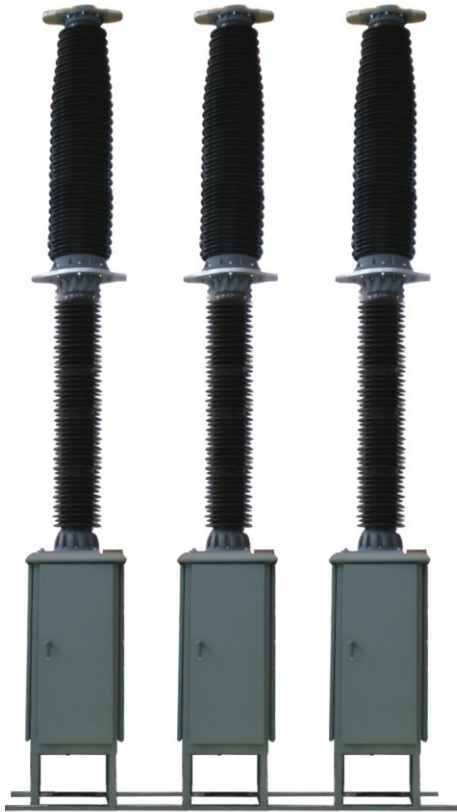
Live Tank Circuit Breaker

up to 252kV, 4000A and 50kA



TAIKAI type LW30-252 is a well designed high-voltage AC SF6 breaker for the control and protection of power transmission and distribution systems up to 252kV, 4000A, 50kA.

It is purposely designed and tested to withstand harsh environments with good reliability, easy operation and maintenance, which also can be used as internuncial breaker and used for opening/closing shunt reactors.



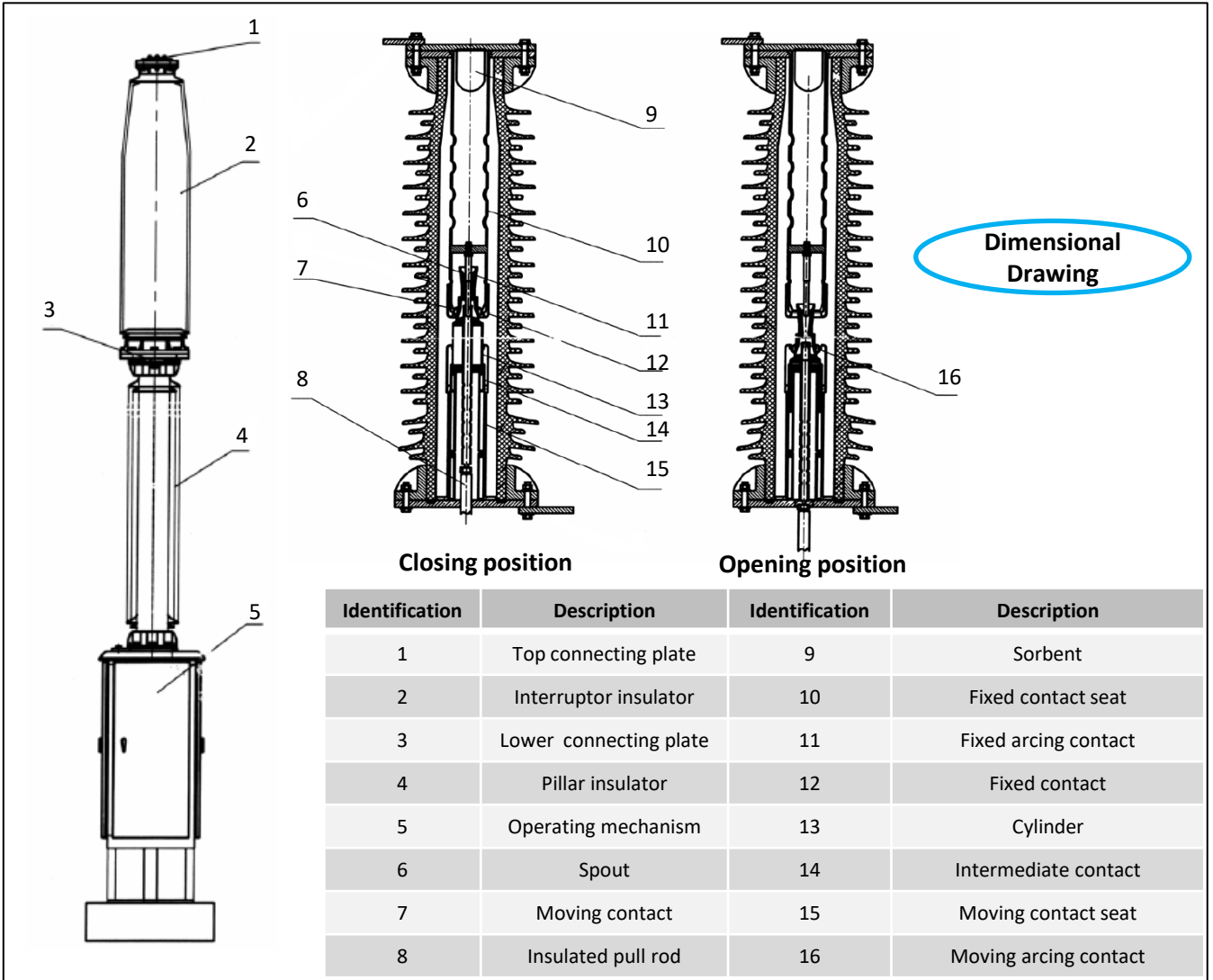
The circuit breaker consists of two main compartments, noumenon and operating mechanism :

- *Noumenon consists of interrupter, pillar insulator and transmission gear.*
- *Operating mechanism is arranged in a unitary case in which the gearbox and the secondary wiring are also installed. The mechanism is connected to the main body of the circuit breaker through a vertical rod.*

Features

- Excellent quality and reasonable price.
- Single interrupter design, with self-blast principle ,rated short-circuit breaking current up to 50KA .
- Operating noise is small.
- The main conacts uses copper alloy material, which has small size, continuous current ratings through 4000A.
- Circuit breaker equipped with updated spring mechanism with stable performance, and its mechanical life can be up to 10,000 times.
- Ease installation and commissioning.

Live Tank Circuit Breaker



Technical Data

Application standards	IEC62271-100	Standard operating duty	O-0.3s-CO-180s-CO
Rated voltage(kV)	245/252	Frequency(Hz)	60/50
Rated current(A)	4000	Mechanical Endurance	10000 operations
Short circuit breaking current (kA)	40/50	Short circuit making current (kA)	125
Power frequency withstand volatge(kV) – (1min)	460	Lightning impulse withstand voltage (kV)	1050

Live Tank Circuit Breaker

up to 330,420, 550kV, 5000A and 63kA



TAIKAI LW30 double interrupters series of well designed high-voltage AC SF6 breaker for the control and protection of power transmission systems up to 330,420,550kV, 5000A, 63kA.

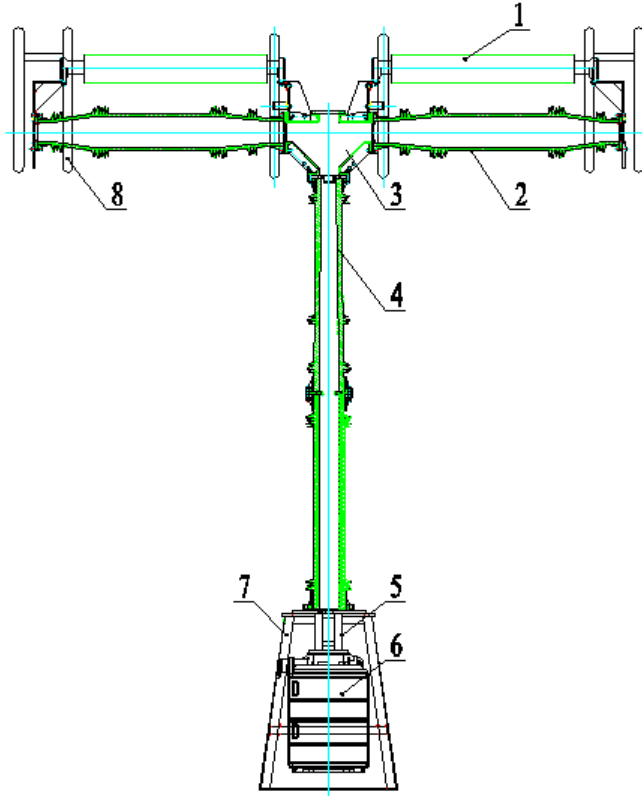
It is purposely designed and tested to withstand harsh environments with good reliability, easy operation and maintenance, which also can be used as international breaker and used for opening/closing shunt reactors.



Features

- Excellent quality and reasonable price.
- Double interrupter design, with self-blast principle, rated short-circuit breaking current up to 63kA.
- Operating noise is small.
- The main contacts use copper alloy material, which has small size, continuous current ratings through 5000A.
- Circuit breaker equipped with hydraulic-spring operating mechanism with stable performance, and its life can be up to 10,000 times.
- Ease installation and commissioning.

Live Tank Circuit Breaker



Identification	Description	Identification	Description
1	Capacitor	5	Connecting device
2	Interrupter	6	Operating mechanism
3	Gearbox	7	Stent
4	Pillar	8	Are pressure ring

Dimensional Drawing

Technical Data

Application standards	IEC62271-100	Standard operating duty	O-0.3s-CO-180s-CO
Rated voltage(kV)	420/550	Frequency(Hz)	60/50
Rated current(A)	5000	Interrupterting time	3 cycles(50ms)
Short circuit breaking current (kA)	63	Short circuit making current (kA)	171
Power frequency withstand volatge(kV) – (1min)	610/800	Mechanical Endurance	10000 operations
Lightning impulse withstand voltage (kV)	1300/1675	Switching impulse withstand voltage(kV)	1050/1300